

CFL Series: Cans & Fingered Lids

Perancea Standard & custom RFI/EMI Cans provide excellent attenuation and accessibility where the complete board or circuit screening is required.

π Removable Fingered Lids

provide easy access and excellent attenuation

π Lid Fingering Clearance

selective fingers can be omitted for clearance around components mounted through the frame wall

π Component/PCB Locations (optional)

lanings or brackets can be specified to act as guides or supports – see page 8

π Butt Jointed Corners

the bright acid tin finish enables corners to be readily soldered for increased screening

π Internal Dividers (optional)

provide discrete screening within the can – see page 8

π Custom Sizes

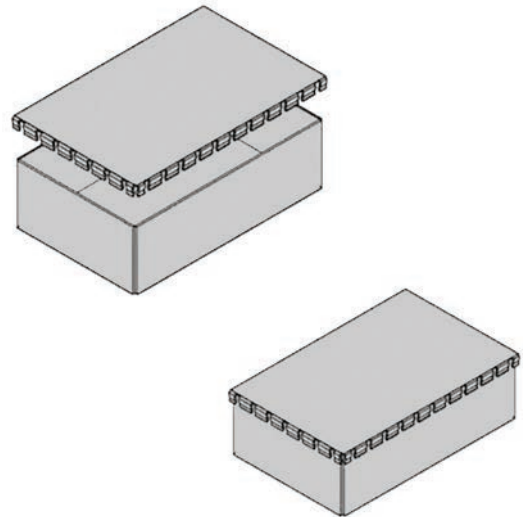
our enclosures can be manufactured without tooling charges, enabling viable prototype and low volume production

π Additional Features

holes, brackets, cut-outs, lid captivation and more, can be readily incorporated during manufacture – see page 8

π Alternative Materials & Finishes

copper, brass, tinplate, nickel, nickel plate



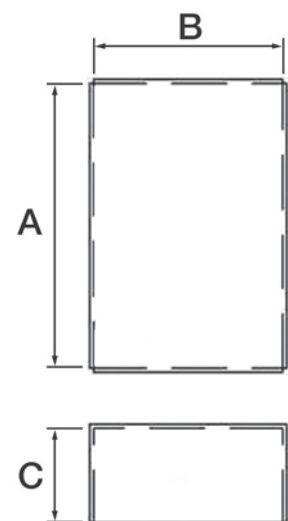
Specification

Material:	Bright Mild Steel BS EN 10130 DC01
Frames:	20swg (0.914mm)
Lids:	23swg (0.6mm)
Finish:	Bright Acid Tin Good Commercial Grade
Surface Resistivity:	$20 \times 10^{-6} \Omega$ per square
Conductivity:	$5 \times 10^4 S$ (mho)
Tolerance:	+/-0.25mm (general)

STOCK SIZES - Internal & Overall Dimensions in mm

Part No.	Dimension A	Dimension B	Dimension C	Nominal Overall Size Including Lid
CFL5T	20	20	10	25 x 25 x 12
CFL6T	30	30	15	35 x 35 x 17
CFL9T	30	30	30	35 x 35 x 32
CFL7T	50	25	15	55 x 30 x 17
CFL1T	50	50	15	55 x 55 x 17
CFL2T	75	50	25	80 x 55 x 27
CFL8T	75	75	25	80 x 80 x 27
CFL3T	100	50	35	105 x 55 x 37
CFL4T	160	100	50	165 x 105 x 52

Note: A4 dimensioned drawings for all parts available on request.



Tel: +44 (0) 20 8365 2520
Email: sales@perancea.com

PERANCEA

Fax: +44 (0) 20 8566 7217
Website: www.perancea.com