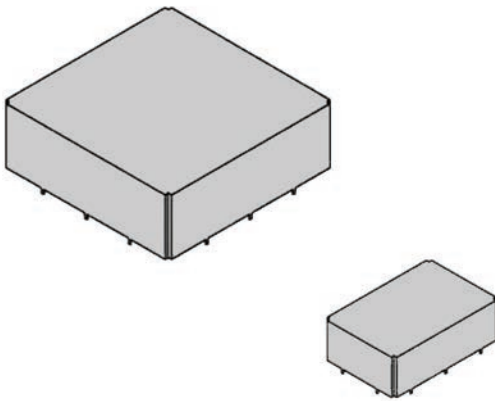


PCMC Series: PCB Mounting Cans



Specification

Material/Finish:	Tinplate to BS EN 10202:2001
Thickness:	0.49mm
Surface Resistivity:	$20 \times 10^{-6} \Omega$ per square
Conductivity:	$5 \times 10^4 S$ (mho)
Tolerance:	+/-0.25mm (general) +/-0.10mm (PCB pin pitch)
Pin Size:	1mm x 2.25mm

Low cost, single piece, Perancea PCB mounting Cans provide excellent attenuation for applications where board level RFI/EMI screening is required. They are readily available in standard or custom options.

π PCB Mounting Pins

tinplate finish for solderability

π Locking Pins (optional)

enable positive placement and retention – see page 7 particularly ideal for reflow soldering applications

π Butt Jointed Corners

the tinplate finish enables corners to be easily soldered for increased screening

π Custom Sizes

our enclosures can be manufactured without tooling charges, enabling viable prototype and low volume production

π Additional Features

holes, brackets, cut-outs, lid captivation and more, can be readily incorporated during manufacture – see page 8

π Alternative Materials

copper, brass, steel, nickel

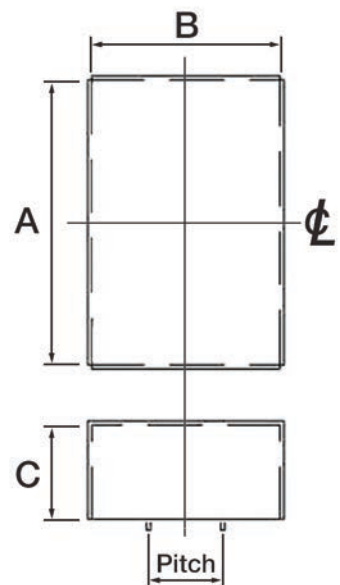
π Alternative Finishes

bright acid tin, nickel plate

STOCK SIZES - Internal & Overall Dimensions in mm

Part No.	Dim. A	Dim. B	Dim. C	Nominal Overall Size	Number of Pins	Pin Pitch
PCMC1	20	20	15	21 x 21 x 16	4	C/L
PCMC2	25	25	15	26 x 26 x 16	8	10.5
PCMC3	30	25	20	31 x 26 x 21	8	10.5
PCMC4	30	30	15	31 x 31 x 16	8	10.5
PCMC5	40	30	15	41 x 31 x 16	10	10.5
PCMC6	40	35	20	41 x 36 x 21	12	10.5
PCMC7	40	40	15	41 x 41 x 16	8	20
PCMC8	50	50	15	51 x 51 x 16	8	20
PCMC9	60	40	20	61 x 41 x 21	10	20
PCMC10	70	50	25	71 x 51 x 26	10	20
PCMC11	75	75	25	76 x 76 x 26	12	20
PCMC12	100	50	25	101 x 51 x 26	12	20

Note: A4 dimensioned drawings for all parts available on request.



Tel: +44 (0) 20 8365 2520
Email: sales@perancea.com

PERANCEA

Fax: +44 (0) 20 8566 7217
Website: www.perancea.com